

GRINDMASTER

Coffee System Grinder brewer 2,5 kg, single - airpot with UK plug

ITEM # _____

MODEL # _____

NAME # _____

SIS # _____

AIA # _____



600684 (GNB10HUK)

Single, 2.2 lt airpot brewer with single 2.5 kg bean hopper (airpot not included) - UK plug

Short Form Specification

Item No. _____

Single grinder brewer 2,5kg with airpot. 3-Function capability: Grind only; Brew only; Grind'n Brew™. Digitally controlled with Precision Brew™ Technology. Precise Brew Temperature: the brewer will hold the brew temperature to +/- 0.5° C during the complete brew cycle. Pulse brewing/pre-infusion: it allows the brew sequence to extract up to 20% more dissolved solids per batch of coffee. Programmable: number of pulses, pulse-on time and pulse-off time. Low Temp/No Brew setting allows the brew cycle to begin only when the water has reached the optimum brew temperature. The brewer settings can be "locked" to prevent tampering. The warmers can be programmed to shut off up to 240 minutes from the last brew cycle.

Space-saving design and shutter mechanism keeps water vapor separated from grind head.

Delivered with UK plug.

Main Features

- Brew Volume can be set by "teach" mode to eliminate trial-and-error set-up.
- PrecisionBrew™ Temperature: the brewer will hold the brew temperature to +/- 0.5 °C during the complete brew cycle.
- Pulse brewing/pre-infusion: it allows the brew sequence to extract up to 20% more dissolved solids per batch of coffee.
- Low Temp/No Brew setting allows the brew cycle to begin only when the water has reached the optimum brew temperature.
- Programming Lock-Out: the brewer settings can be "locked" to prevent tampering.
- Energy Savings/Coffee Old: the warmers can be programmed to shut off up to 240 minutes from the last brew cycle.
- Single Bean Grind'n Brew™ System - 3-Function capability: Grind only; Brew only; Grind'n Brew™. Digitally controlled with PrecisionBrew™ Technology.
- Space-saving design eliminates the need for both brewer and grinder.
- Bean Usage Counter: controller records volume of beans used from the hoppers.
- Grind time for half and full batch can be set from front of brewer.

Optional Accessories

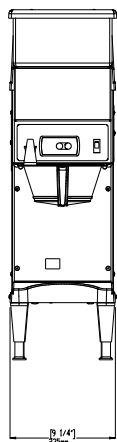
- Case of (6) 2.2 lt glass-lined lever top airpots with black top and flavor tags PNC 870007
- Single 2.2 lt glass-lined lever top airpot with black top and flavor tags PNC 870008
- Case of (6) 2.2 lt stainless steel-lined lever top airpot with black top and flavor tags PNC 870009
- Case of (6) 2.5 lt glass-lined lever top airpots with black top and flavor tag PNC 870011
- Single 2.5 lt glass-lined lever top airpot with black top and flavor tag PNC 870012
- Case of (6) 2.5 lt stainless steel-lined lever top airpots with black top and flavor tag PNC 870013
- Single 2.5 lt stainless steel-lined lever top airpot with black top and flavor tag PNC 870014

APPROVAL: _____

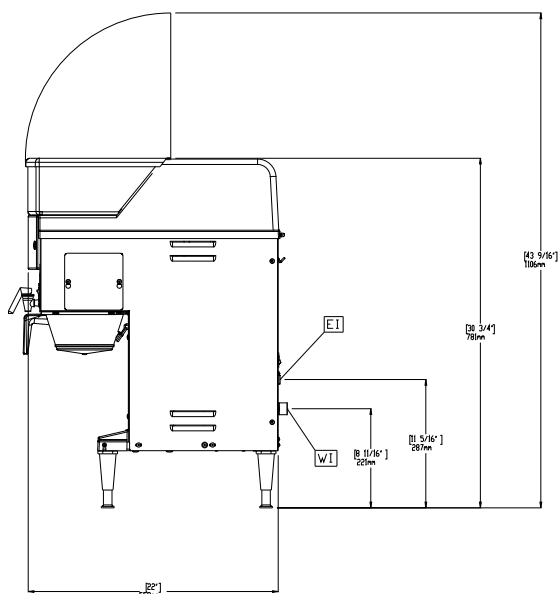
GRINDMASTER

Coffee System Grinder brewer 2,5 kg, single - airpot with UK plug

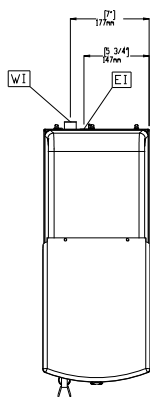
Front



Side



Top



Electric

Supply voltage:

600684 (GNB10HUK) 230 V/1 ph/50 Hz

Electrical power max.:

2.7 kW

Key Information:

External dimensions, Width: 235 mm

External dimensions, Depth: 616 mm

External dimensions, Height: 787 mm

Net weight: 38 kg

Shipping weight: 41 kg

Shipping height: 838 mm

Shipping width: 406 mm

Shipping depth: 762 mm

Coffee System
Grinder brewer 2,5 kg, single - airpot with UK plug

The company reserves the right to make modifications to the products without prior notice. All information correct at time of printing.

